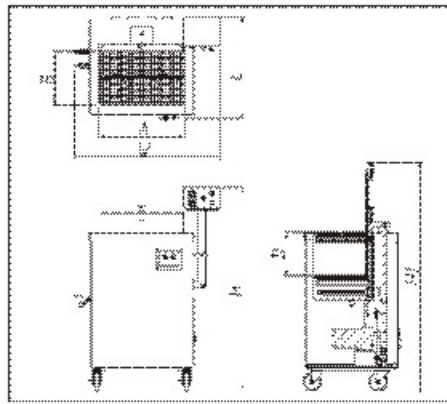


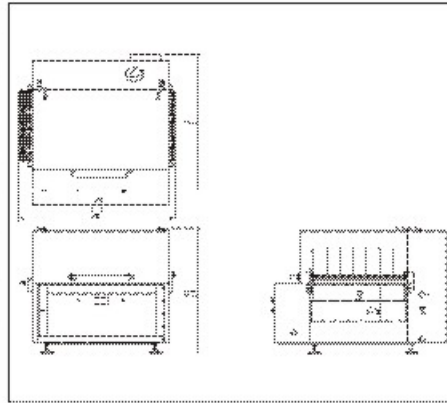
ST Series Hot Water Shrink Tank Technical Specifications

MODELS	ST-10
Max. Product Height	12"/305mm
Immersion Platform(A) Size (B)	22.8"/580mm 13.7"/350mm
Immersion Depth (D)	14"/355mm
Cycle Time	up to 15/min
Volume of Water	30gal /100 liters
Electrical Heating	12kw/32A
Voltage	230V/3ph/60Hz
Machine Size LxWxH(H1)	30"x40"x48.5"(55") 762x1016x1232mm(1397mm)
Machine Weight	442 lbs / 200kg



ST-10

MODELS	ST-700
Max. Product Height	10.8"/275mm
Immersion Platform(A) Size (B)	34.2"/870mm 24.8"/630mm
Immersion Depth (D)	13"/330mm
Cycle Time	up to 8/min
Volume of Water	85gal / 310 liters
Electrical Heating	30kw/78.7A
Voltage	230V/3ph/60Hz
Machine Size LxWxH(H1)	55"x47.5"x51" 1397x1026x1295mm
Machine Weight	880 lbs / 400kg



ST-700

Standard Features:

- Stainless steel constructions
- Electric heating
- Programmable temperature control
- Simple push button cycle operation
- On/ off indicator light
- Easy access for cleaning and maintenance
- High performance insulation to avoid heat loss
- Easy fill and drain tank
- Low energy consumption
- Auto dip tank with conveyor (ST-700)

Power requirements:

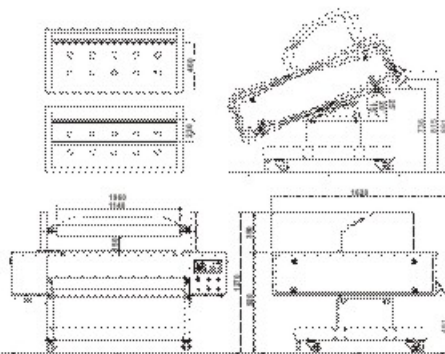
- 230,60Hz,3-phase
- 50Amps (ST-10)
- 80Amps (ST-700)

All specifications are subject to change without notice.

CV-1000V Continuous Vacuum Packaging Machine

Fully stainless steel construction features maximum durability and convenient cleaning. The front and rear end can be equipped with an automatic conveyor to make an automatic production line. Equipped with a conveyor belt, the machine can perform semi automatic or continuous operation. This greatly upgrades production output and saves manpower and time. Packing liquid products, adjust the angle of the conveyor table to prevent the product overflowing. The conveyor belt features automatic washing. Stainless steel chain meets food sanitation requirements and ensures product quality. Highly efficient Busch vacuum pump. 20 programmable micro processor with oil indicator (IP 56).

MODELS	CV-1000
Seal Bar Length	41.4"/1050mm
Distance Between Seal Bars	18"/460mm
Chamber Depth	7"/180mm
Vacuum Pump Capacity	100m3/h (5hp)
Power/Amp	5kw/15A
Cycle	3~5 min
Voltage	220V/3ph/60Hz
Machine Weight	990 lbs / 450kg



Options:

- Gas flushing
- Voltage
- Sensor control
- Custom sizes are available

All specifications are subject to change without notice.